



Générale Electronique Services

B.P. 46 – 77542 SAVIGNY-LE-TEMPLE Cedex – France
Parc d'Activité – 205, rue de l'Industrie – 77176 SAVIGNY-LE-TEMPLE

Tél. : +33 (0)1.64.41.78.88 – Fax : +33 (0)1.60.63.24.85
<http://www.ges.fr> – email : info@ges.fr



CX-230L Specifications

Impedance: 50 Ohms.

VOLTAGE

Pull in:	9.0Vdc-16.5Vdc(12Vdc Nominal)
Drop out:	1.5Vdc Min.
Current:	160mA@12Vdc 20°C
Coil Resistance	75 Ohms. 10% 20°C

SWITCHING TIME

Pull in:	20ms typical
Drop out:	15ms typical
Life Expectancy:	1,000,000 Operation Min.

MECHANICAL

Contact Arrangement:	SPDT
Operational Temperature:	-50°C to 70 °C
Weighting:	Approx. 230gs.
Mounting:	Two Screws
Cable Connections:	3 BNC-LR Type Female Connectors

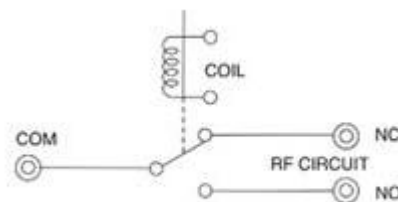
COIL CHARACTERISTICS

Nominal Voltage:	12Vdc/24Vdc
Voltage Range:	9Vdc-16.5Vdc/ 18Vdc-26.5Vdc
Coil Resistance Ohms:	75/300
Mounting:	-

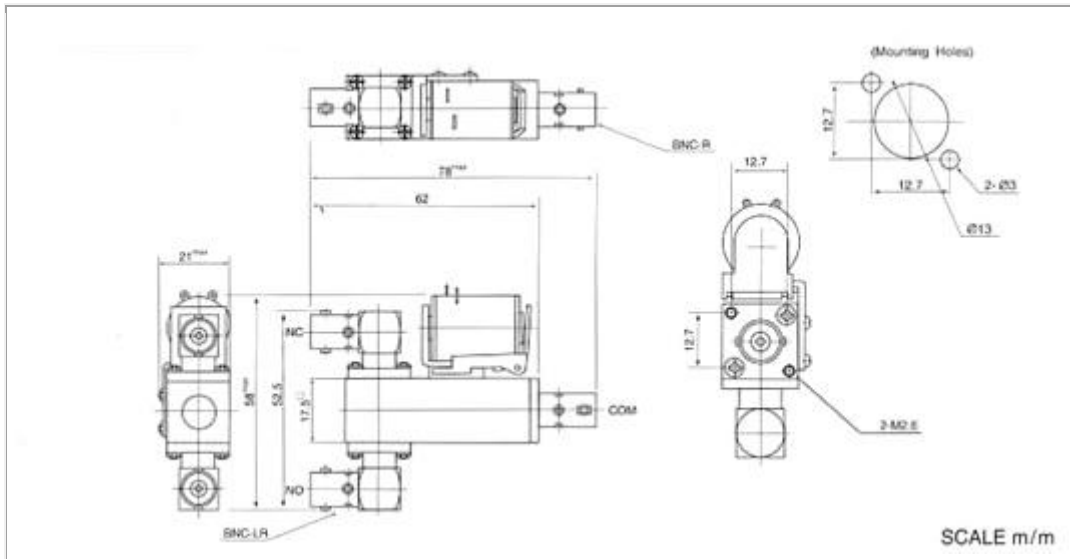
ELECTRICAL CHARACTERISTICS

Frequency (MHz)	VSWR (Max)	Isolation - dB[min]	Ins. Loss - dB[max]	Input (W)
50	1.05	56	0.05	300
150	1.1	42	0.05	300
500	1.15	30	0.1	300
1000	1.3	24	0.2	200

SCHEMATIC



DIMENSIONS



TYPICAL OPERATING CURVES

