

SPECIFICATION MODEL CZX-3500

IMPEDANCE/50 Ohms.

VOLTAGE

ACTUATION DATA :

VOLTAGE :

Pull in 10Vdc - 14Vdc (12Vdc Nominal)
 Drop out 3.0Vdc Min.
 Current 230mA @12Vdc 20°C
 Coil resistance ... 52 Ohms ± 10% 20°C

SWITCHING TIME

SWITCHING TIME :

Pull in 20ms max.
 Drop out 18ms max.
 LIFE EXPECTANCY ... 1,000,000. Operation min.

MECHANICAL

MECAHANICAL :

Contact arrangement SPDT
 Operational temperature -25°C to + 50°C (Max Temperature Rise:20c)
 Weight Approx 320gs.
 Mounting Four screws
 Cable connections 3 N Type female connectors.

ELECTRICAL CHARACTERISTICS

ELECTRICAL CHARACTERISTICS :

Frequency MHz	VSWR Max	Isolation -dB(min)	Ins.Loss -dB(max)	IN PUT RF Power W(PEP)
50	1.008	65	0.1	1000
150	1.01	65	0.1	1000
500	1.03	65	0.2	800
1000	1.06	65	0.25	600
2000	1.07	65	0.3	250
3000	1.1	60	0.3	50
4000	1.15	55	0.35	15

COIL CHARACTERISTICS

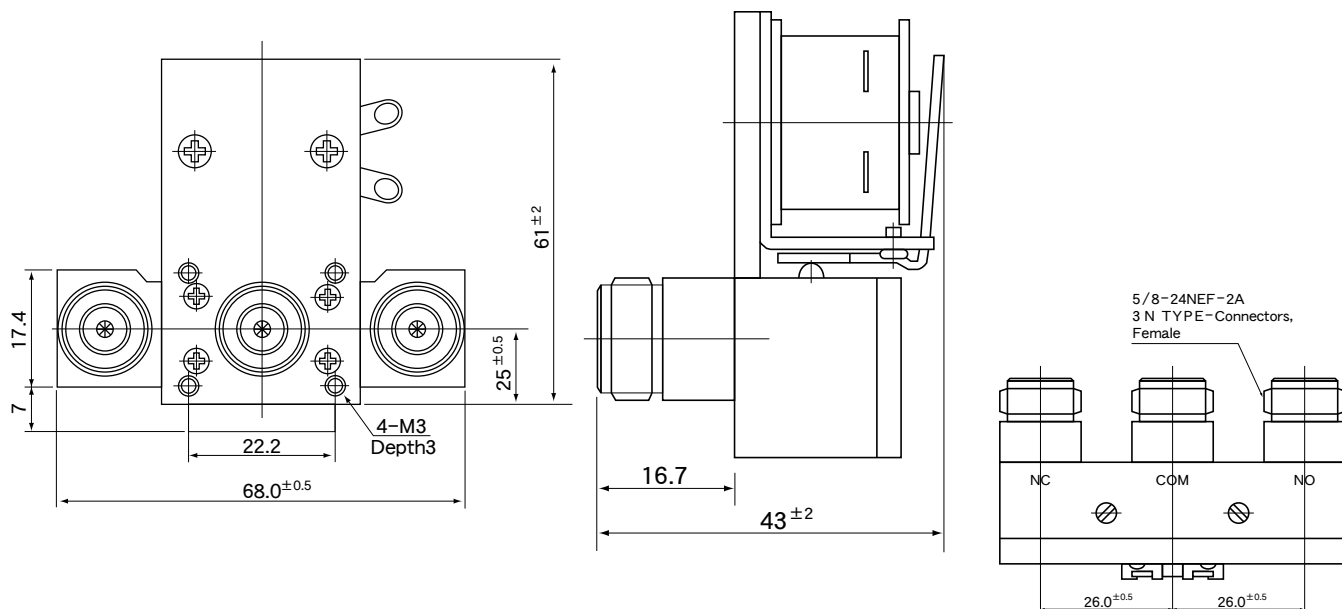
COIL CHARACTERISTICS :

Nominal Voltage Voltage Range Coil Resistance Ohms
 12Vdc 10Vdc - 14Vdc 52 ±10% 20°C

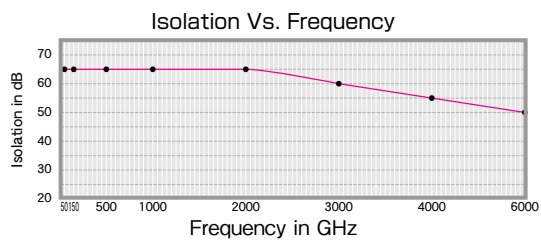
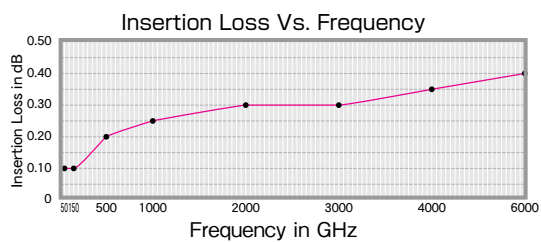
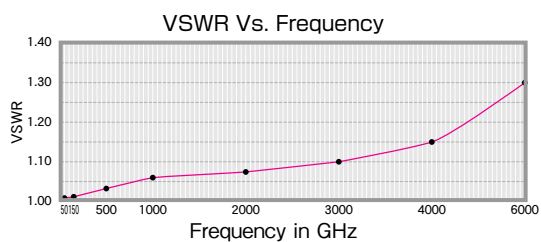
Note : Other voltages are also available at option.

DIMENSIONS

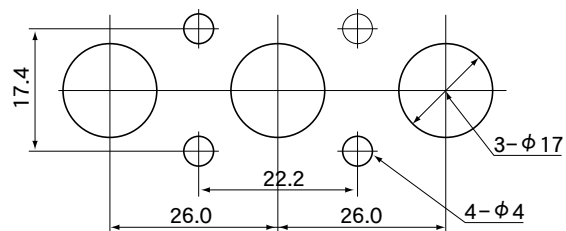
SCALE m/n



Typical Operating Curves



(Mounting Holes)



Schematic

